

A close-up photograph of a person's hands and forearms. They are wearing a blue smartwatch on their left wrist and white earbuds. The person is looking down at their wrist, possibly checking the time or a notification. The background is a blurred cityscape with buildings.

MEMS Timing Solutions for **Mobile and IoT**

- Extensive portfolio
- Enables longer battery life
- Ultra-small footprint
- Better performance and higher stability in harsh environments
- Programmable, instant samples, shorter lead time

A small part from
SiTime runs a big
part of your world



Smartphone & Mobile Accessories

SiT1532 Oscillators and SiT1566, SiT1572, SiT1576, SiT1580 TCXOs

- Smallest footprint | 1.5 x 0.8 mm chip scale package
- Drives multiple loads | Optimized BOM & smaller form factor
- High integration | Optimized BOM & smaller form factor



Smart Watch

SiT1532 Oscillators and SiT1552, SiT1580 TCXOs

- Low power | $< 1 \mu\text{A}$, NanoDrive™ output to optimize swing
- Smallest footprint | 1.5 x 0.8 mm chip scale package
- High robustness | Immune to small molecular gasses



Fitness Tracker

SiT1532, SiT1534, SiT1580 Oscillators and SiT1552 TCXOs

- Low power | $< 1 \mu\text{A}$, NanoDrive™ output to optimize swing
- Smallest footprint | 1.5 x 0.8 mm chip scale package
- High robustness | Immune to small molecular gasses



Stylus & Tablets

SiT1569, SiT8021 Oscillators and SiT1566, SiT1580 TCXOs

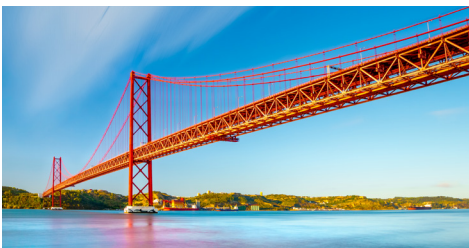
- 3 ppm stability | Higher accuracy enables longer sleep mode
- Smallest footprint | 1.5 x 0.8 mm chip scale package
- 1 Hz to 2.5 MHz frequency | Wide range of custom frequencies



Glasses/VR

SiT1532, SiT1579 Oscillators and SiT1576 TCXOs

- Smallest footprint | 1.5 x 0.8 mm chip scale package
- Drives multiple loads | Optimized BOM
- 1 Hz to 2.5 MHz frequency | Wide range of custom frequencies

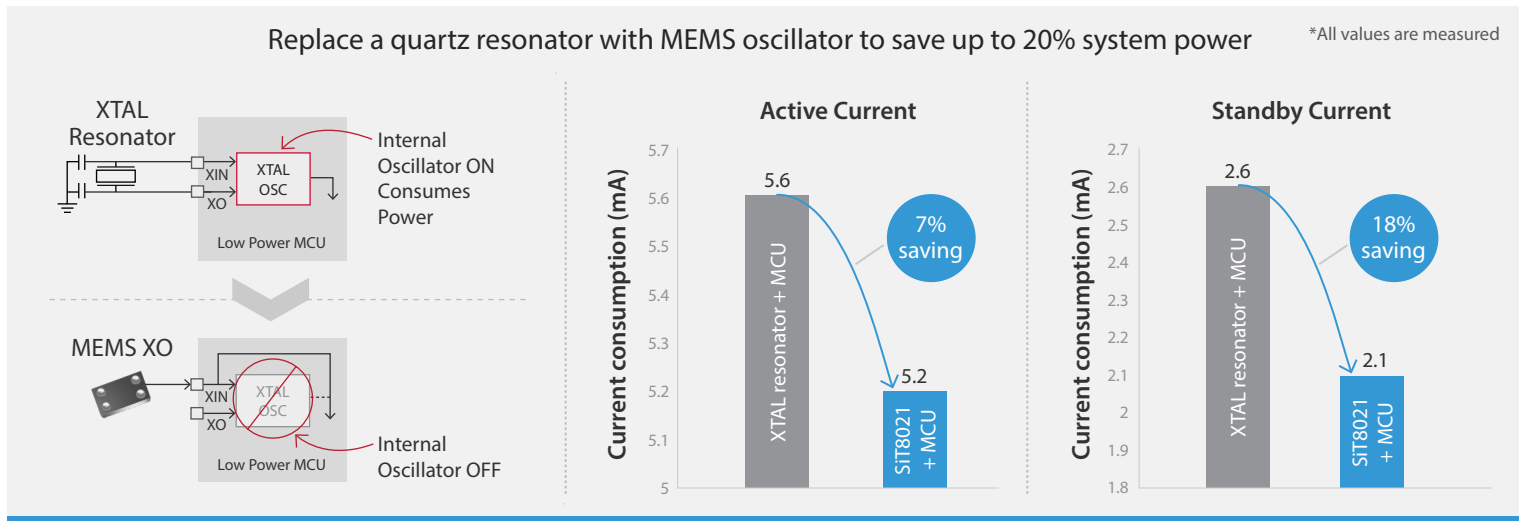


Remote Sensing

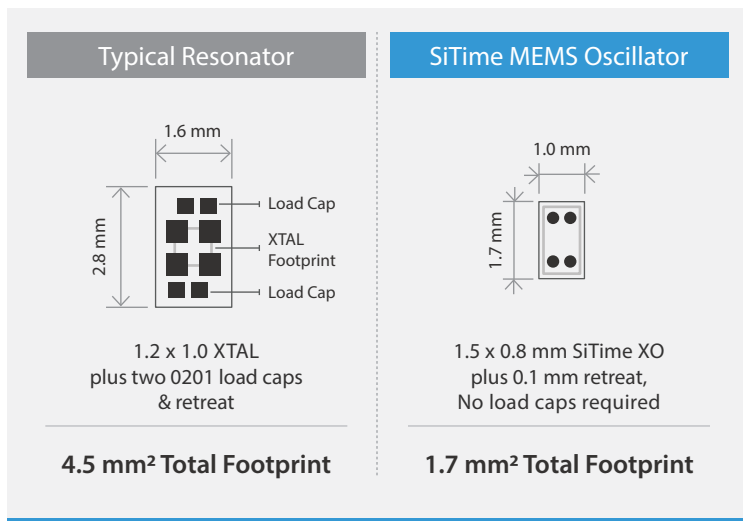
SiT1532, SiT1579 Oscillators and SiT1576, SiT1580 TCXOs

- 1 Hz to 2.5 MHz frequency | Wide range of custom frequencies
- Package options | 1.5 x 0.8 mm CSP, QFN, SoT23
- High reliability | Low DPPM

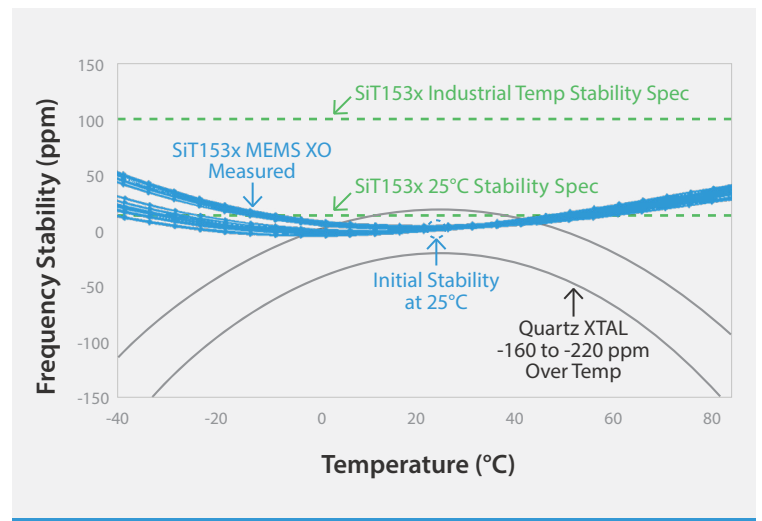
Lower Power



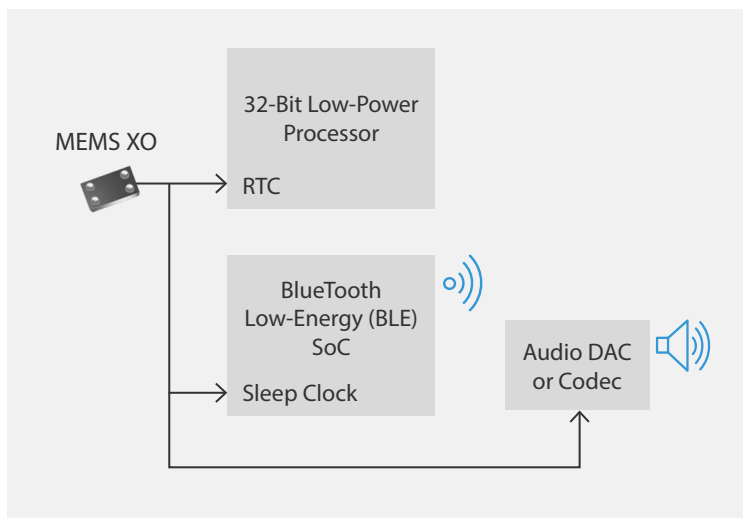
Smallest Size, Lower BOM



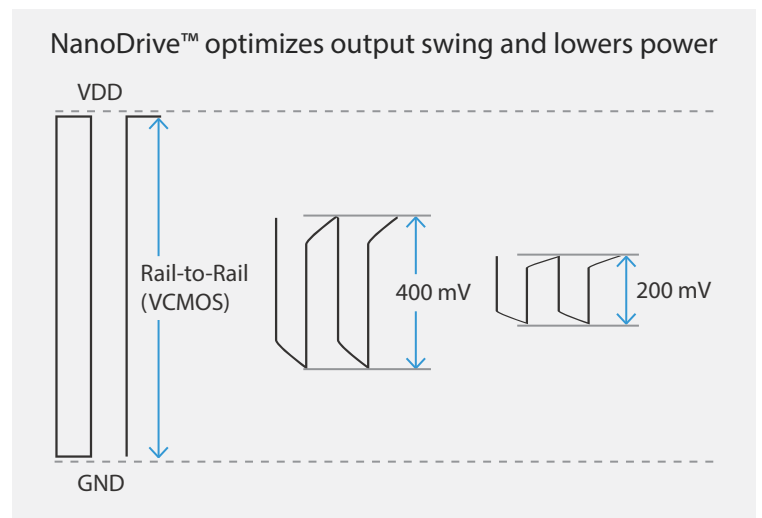
Best 32 kHz Stability



Drive Multiple Loads



Low Power Feature



SiTime Base Part No.	Output Frequency	Frequency Stability (ppm)	Supply Volt. (V)	Supply Current (Typical)	Packages (mm x mm)	Output Logic	Features
µPOWER 32 kHz OSCILLATORS Replace quartz XTAL/XO Smallest size Drive two or more loads Higher accuracy Better reliability							
SiT1532	32.768 kHz	75, 100, 250 over temp (10, 20 room temp)	1.2 to 3.63	0.90 µA	1508	NanoDrive, LVCMOS	Smallest XO, Field Programmable
SiT1533					2012		
SiT1572		±50	1.62 to 3.63	4.5 µA	1508	LVCMOS	Smallest XO, Field Programmable
SiT1573		±100					
SiT1630	32.768, 16.384 kHz	75, 100, 150 over temp (20 room temp)	1.5 to 3.63	1.0 µA	2012, SOT23-5	LVCMOS	-40 to +105°C, Field Programmable

µPOWER 32 kHz TCXOs Replace quartz XTAL/TCXO Smallest size Drive two or more loads Higher accuracy Better reliability							
SiT1552 TCXO	32.768 kHz	±10, ±13, ±22, all-inclusive	1.5 to 3.63	0.99 µA	1508	NanoDrive, LVCMOS	Smallest TCXO, Field Programmable
SiT1566 Super-TCXO		±3, ±5, all-inclusive	1.62 to 3.63	4.5 µA		LVCMOS	Smallest XO, 2.5 ns RMS phase jitter, Field Programmable
SiT1568 Super-TCXO		±5 all-inclusive (after overmold/underfill)	1.8	4.5 µA			
SiT1580 TCXO							

LOW POWER OSCILLATORS Smallest size Lower power Drive two or more loads Higher accuracy Programmable for design flexibility							
SiT1534	1 Hz to 32.768 kHz	75, 100, 250 over temp (20 room temp)	1.2 to 3.63	0.90 µA	1508, 2012	NanoDrive, LVCMOS	Smallest XO, Field Programmable
SiT1569	1 Hz to 462.5 kHz	±50	1.62 to 3.63	3.3 µA (100 kHz)	1508	LVCMOS	
SiT1579	1 Hz to 2.5 MHz	±50	1.62 to 3.63	8.0 µA (100 kHz)			Smallest XO, 2.5 ns RMS phase jitter, Field Programmable
SiT8021	1 MHz to 26 MHz	±50, ±100	1.8, 2.5 to 3.3	60 to 280 µA (0.7 µA stby)			Smallest XO, Field Programmable

LOW POWER TCXOs Smallest size Lower power Drive two or more loads Higher accuracy Programmable for design flexibility							
SiT1576 Super-TCXO	1 Hz to 2.5 MHz	±5, ±20 all inclusive	1.62 to 3.63	8.0 µA (100 kHz)	1508	LVCMOS	Smallest XO, 2.5 ns RMS phase jitter, Field Programmable
SiT1581 TCXO		±50		6.0 µA (100 kHz)			Smallest XO, 2.2 ns RMS phase jitter, Immune to small-molecule gasses

Field Programmable Oscillators – Always Available



ANY FREQUENCY



ANY VOLTAGE



ANY STABILITY



Easy-to-use programming kit

- Don't waste time searching & waiting for timing devices
- Optimize system performance with custom frequencies
- Instantly reduce EMI with programmable drive strength